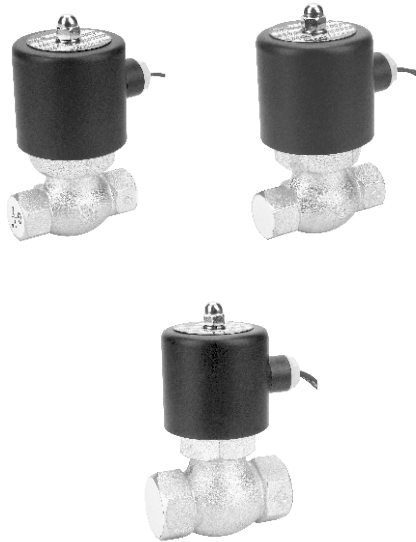


2L 系列二位二通电磁阀

Series 2 Positions 2 Ports Solenoid Valve



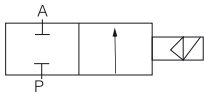
▲ 产品规格 Specifications

| | | | | | | | |
|--------------------------------|---|----------|----------|----------|----------|----------|----------|
| 型号 Model | 2L170-10 | 2L170-15 | 2L170-20 | 2L200-25 | 2L300-35 | 2L300-40 | 2L500-50 |
| 工作介质 Working Fluid | 空气、水、蒸汽 Air, water, Steam | | | | | | |
| 动作方式 Action Style | 直动式 Direct action | | | | | | |
| 型式 Style | 常闭型 Normally closed | | | | | | |
| 流量孔径 mm Orifice | 17 | 22 | 30 | 50 | | | |
| CV值 CV flow factor | 4.8 | 12 | 20 | 48 | | | |
| 接管口径 Port size | G3/8" | G1/2" | G3/4" | G1" | G1 1/4" | G1 1/2" | G2" |
| 使用流体粘滞度 Fluid Viscidity | 20 CST 以下 (Below) | | | | | | |
| 使用压力 MPa Working pressure | 空气、水、蒸汽: 0.1~1.5 Air, water, Steam St: 0.1~1.5 | | | | | | |
| 耐压 MPa Proof pressure | 2.25 | | | | | | |
| 工作温度 °C Ambient temperature °C | -5~80°C | | | | | | |
| 使用电压范围 Rated voltage range | ±10% | | | | | | |
| 阀体材质 Valve body | 黄铜 Brass | | | | | | |
| 油封材质 Seal material | PTFE | | | | | | |

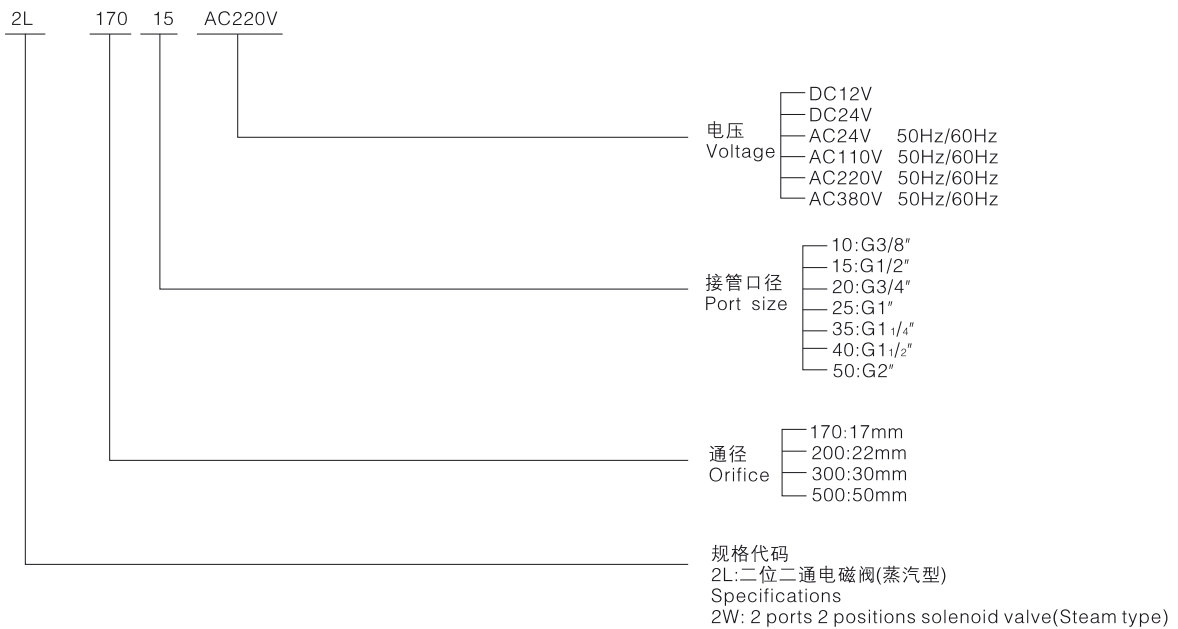
C

4V100
4V200
4V300
4V400
100-400
MLH
3V1
VF、VZ
2W
2L
VM100
VM200
VM430
KKP
K23JD
Q24DH
Q24D2H
K23JC₃
4H
Q22XD
Q23XD
K25R₅

图形符号 Symbol

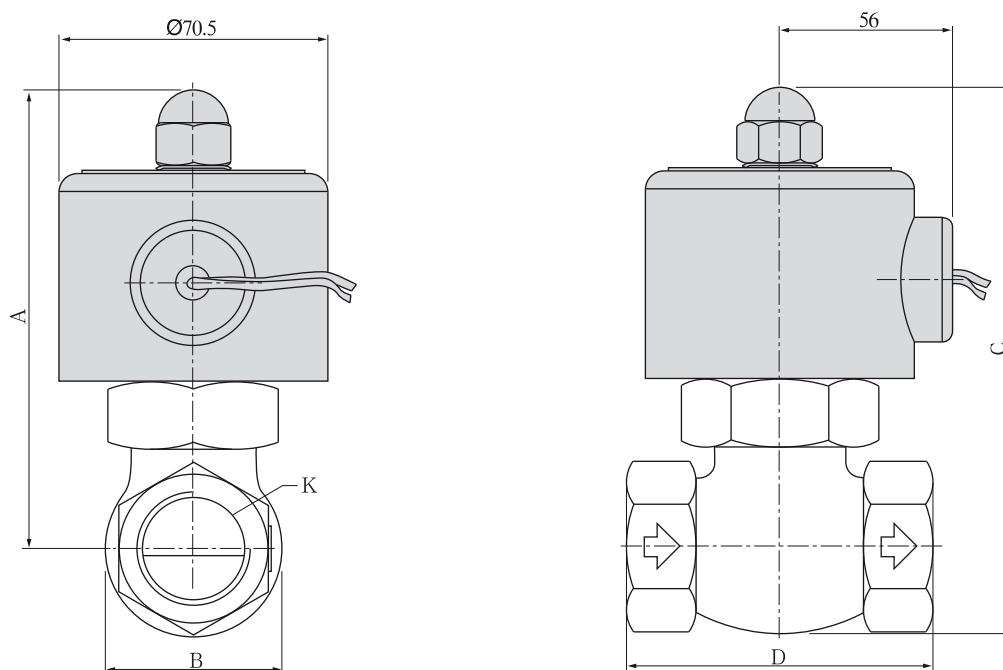


▲ 订购码 Order Code



▲外形尺寸(毫米)/Overall Dimension(mm)

2L 系列 2L Series



▲尺寸表 Dimension

| 型号 Model | A | B | C | D | K |
|----------|-----|----|-----|------|---------|
| 2L170-10 | 125 | 42 | 146 | 82 | G3/8" |
| 2L170-15 | 125 | 42 | 146 | 82 | G1/2" |
| 2L170-20 | 125 | 42 | 146 | 82 | G3/4" |
| 2L200-25 | 136 | 52 | 162 | 90.5 | G1" |
| 2L300-35 | 148 | 74 | 185 | 111 | G1 1/4" |
| 2L300-40 | 148 | 74 | 185 | 111 | G1 1/2" |
| 2L500-50 | 176 | 86 | 223 | 163 | G2" |