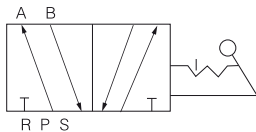




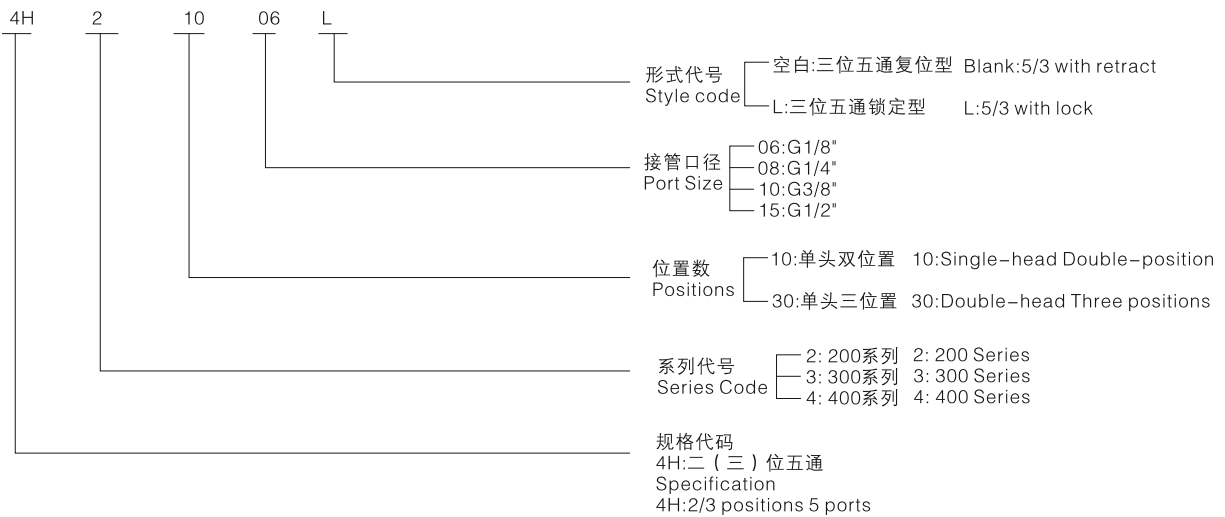
▲ 产品规格 Specifications

型号 Model	4H210-06	4H210-08	4H310-08	4H310-10	4H410-15
工作介质 Working Fluid	空气 Air				
动作方式 Action mean	直动式 Direct operation style				
有效截面积 mm ² Effective sectional area	14 (CV=0.78)	16 (CV=0.89)	25 (CV=1.4)	30 (CV=1.68)	50 (CV=2.79)
接管口径 Adapter diameter	进气=排气=出气=G1/8" Inter=oulet=release	进气=出气=G1/4" 排气=G1/8" Inter=oulet=release	进气=排气=出气=G1/4" Inter=oulet=release	进气=出气=G3/8" 排气=G1/4" Inter=oulet=release	进气=排气=出气=G1/2" Inter=oulet=release
工作压力 Working applied range	0~0.8MPa				
工作温度 °C Working Temperature range	0~60				
润滑 Lubrication	不需要 No needed				
操作摇晃角度 Operation wavering angle	±15°				

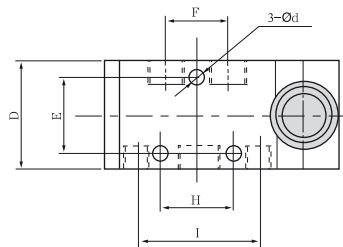
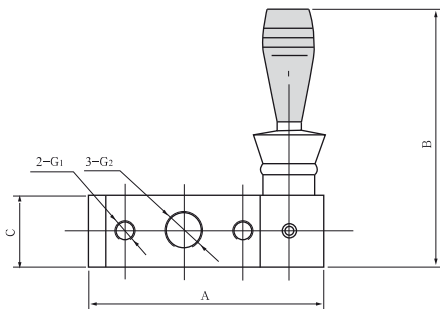
图形符号 Symbol



▲ 订购码 Order Code



▲ 外形尺寸(毫米)/Overall Dimension(mm)



型号 Model	G1	G2	A	B	C	D	E	F	H	I	d
4H210-08	G1/8"	G1/4"	76	96	22	35	21	21	20	36	4.3
4H310-10	G1/4"	G1/8"	92	101	27	40	27	24	24	45	4.3
4H410-15	G1/2"	G1/2"	125	108	34	50	35	36	28	63	5.5