

自动排水，不需人手操作，防尘，耐用可靠。

标准件配有壳体罩  
Automatic drain, no need hand operation, dust proof, durable and reliable



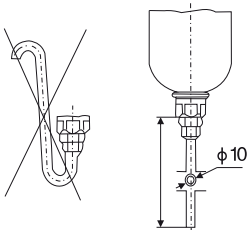
AD402-04

## ▲ 产品规格 Specifications

型号 Type	AD402-04
耐压 Proof Pressure	1.5MPa(15.2kgf/cm <sup>2</sup> )
工作压力 Working Pressure	1.0MPa(10.2kgf/cm <sup>2</sup> )
注) 排水压力范围 Note) Drain Water pressure Range	0.15~1.0MPa{1.5~10.2kgf/cm <sup>2</sup> }
工作温度 Temperature Range	5~60℃
接管口 Rc(PT) Port size	1/2
排水口 Rc(PT) Drain Port	3/8
重量(kgf) Weight	0.62
手动开关 Hand Switch	—

## ▲ 外形尺寸(毫米) Overall Dimension(mm)

### 图形符号 Symbol



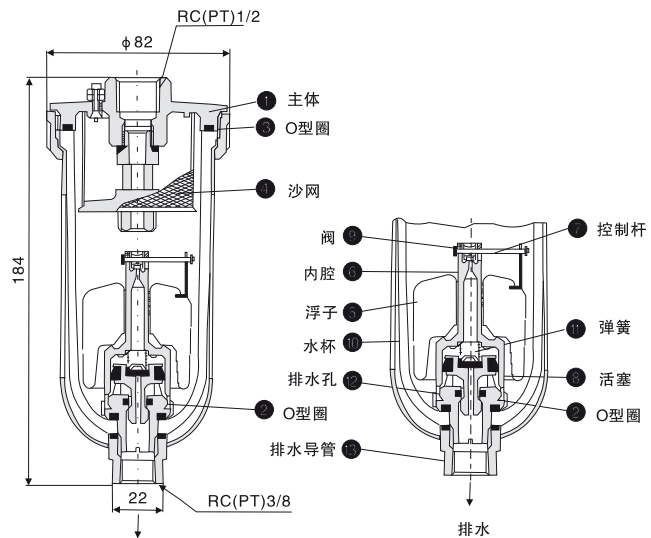
### 注意

安装排水管时，要用内径  $\phi 10$  毫米

以上的管子，长度不能超过5米。

### Note

When mounting the drain hose, the internal diameter must be above 10mm and the length must be less than 5 meters



## 工作原理

当水杯内无压力时，浮子(5)因自重而下降，阀(9)关闭内腔孔(6)，活塞(8)被弹簧(11)压力，而冷凝水通过(12)排水。水杯内有压力时

当压力在1kgf/cm<sup>2</sup>以上时，活塞(8)克服弹簧(11)向上压，因而排水道(12)关闭，水杯(10)内部与外界隔断。水杯内有冷凝水时

当冷凝水收集到某程度时，浮子(5)因浮力升起，打开内腔孔(6)，压力进入内腔，活塞(8)被压力和弹簧(11)压下，冷凝水通过排水导管(13)排水。

## Working theory

When there is no pressure in the water cup, the float(5) goes down, valve(9) close the lumen hole(6), piston(8) was pressed by spring(11), the cooled water was drained through(12). When there is pressure in the water cup and the pressure is above 1kgf/cm<sup>2</sup>, piston(8) conquer the spring pressure(11) and goes up so the drain water hole (12) was closed, the internal of water cup(10) was separated with outside. When there is cooled water in the cup and the cooled water reached somewhere, the float(5) rise because the floatage open the lumen(6), pressure go into lumen, piston(8) is pressed down by pressure and spring (11), the cooled water is drained by drain water hose(13)