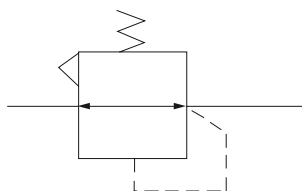




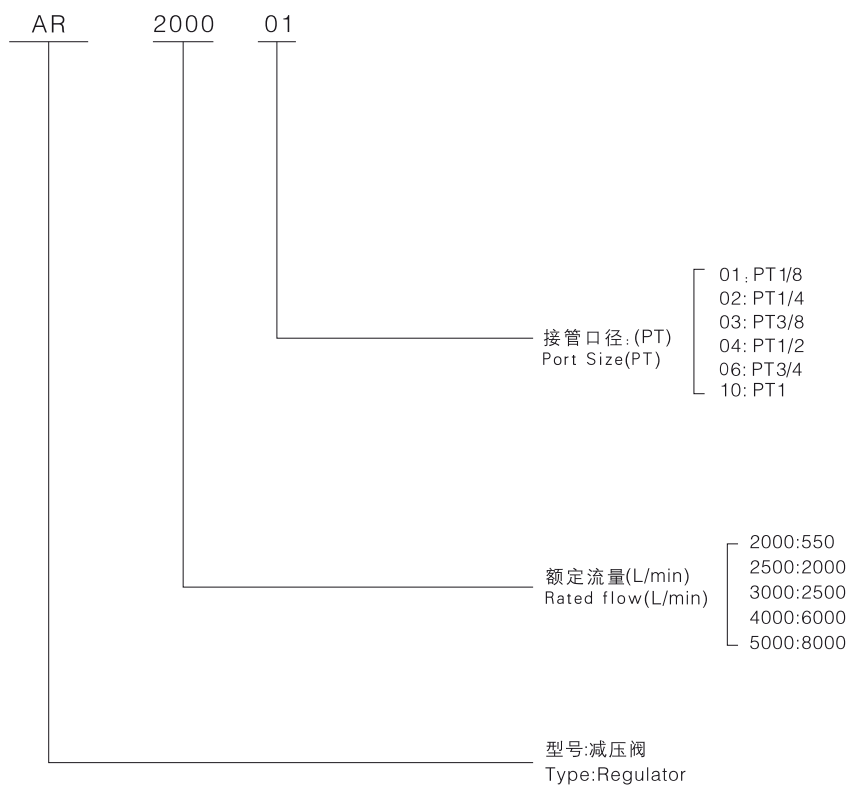
▲ 产品规格 Specifications

型号 Type	AR2000-01(02)	AR2500-02(03)	AR3000-02(03)	AR4000-04	AR5000-06(10)
工作介质 Working fluid	空气 Air				
接管口径 Port Size	PT1/8 (PT1/4)	PT1/4 (PT3/8)	PT1/4 (PT3/8)	PT1/2	PT3/4 (PT1)
额定流量 Rated flow	550L/min	2000L/min	2500L/min	6000L/min	8000L/min
工作温度 Working Temperature	5-60°C				
工作压力 working pressure	1MPa				
耐压 Proof pressure	1.5MPa				
调压范围 Adjustable Pressure Range	0.05~0.85MPa				
压力表口径 Pressure gauge port	G1 /8"			G1 /4"	
阀型 Valve type	带溢流型 Relieving type				
重量 Weights	0.27kg	0.41kg	0.84kg	1.19kg	
材质 Materials	阀体 Valve body	铝合金 Aluminum alloy			
	阀盖 Valve deck	铝合金 Aluminum alloy			
	膜片 Membrane	橡胶 Rubber			

图形符号 Symbol



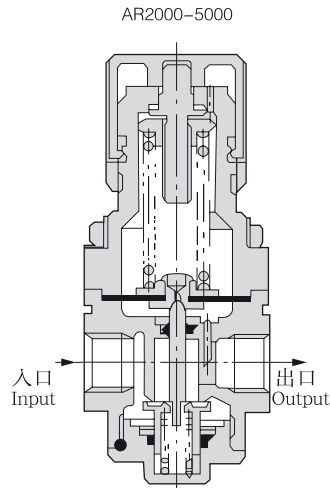
▲ 订购码 Order Code



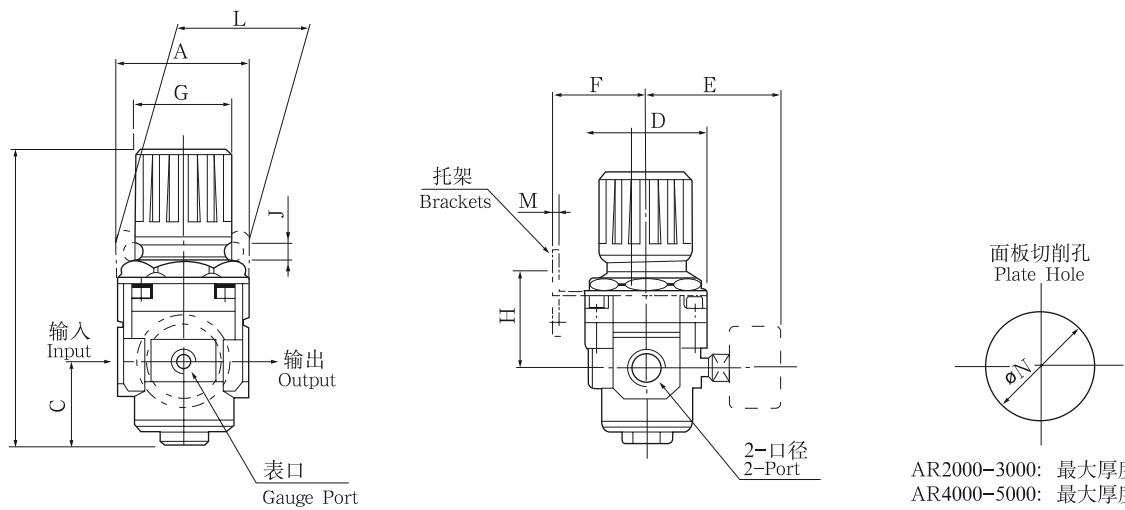
AR 系列气源处理元件(减压阀)

Air Treatment Component (Regulator)

▲ 内部结构 Internal structure



▲ 外形尺寸(毫米) Overall Dimension(mm)



AR2000-3000: 最大厚度3.5
 AR4000-5000: 最大厚度5
 AR2000-3000:3.5Max. Thick
 AR4000-5000:5Max. Thick

型号 Type	口径 Port	A	B	C	D	E	F	G	H	J	K	L	M	N
AR2000	PT1/8-PT1/4	40	95	17	40	56.8	30	34	45	5.4	15.4	55	2.3	33.5
AR2500	PT1/4-PT3/8	53	102.5	25	48	60.8	30	34	44	5.4	15.4	55	2.3	33.5
AR3000	PT1/4-PT3/8	53	127.5	35	53	60.8	41	40	46	6.5	8	53	2.3	42.5
AR4000-04	PT1/2	70	149.5	37.5	70	65.5	50	54	54	8.5	10.5	70	2.3	52.5
AR5000	PT3/4-PT1	90	168	48	90	75.5	70	66	65.8	11	13	90	3.2	52.5

A

GC

GFC

GFR

GF

GR

GL

AC-5000

AC-5010

AF

AR

AL

AW

AD402

QSL

QTY

QIU

QTYH

QSL