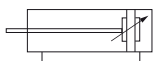




图形符号 Symbol

QDB



## ▲ 产品规格 Specifications

缸径(mm) Bore	125	140	160	180	200	250	320	400
动作形式 Action Fluid	双动							
工作介质 Working Fluid	净化压缩空气 Cleaned compressed air							
工作压力 Working pressure	0.1 ~ 1MPa							
耐压 Proof pressure	1.5MPa							
缓冲 Cushion	两端可调缓冲 Cushion is adjustable at both ends							
工作温度°C Working temperature	0 ~ 60°C							
接管口径 Port size	PT1/2		PT3/4		PT1		PT11/4	

## ▲ 订购码 Order Code

QG - B-160X500-MF1

固定型式  
mounting style

- MF1:前端矩形法兰 MF1:Rod side flange
- MF2:后端矩形法兰 MF2:Head side flange
- MP2:后端双耳环 MP2:Clevis bracket
- MP4:后端单耳环 MP4:Eye bracket
- MT4:中间轴销 MT4:Center grunion
- MS1:端部角架 MS1:Axial foot

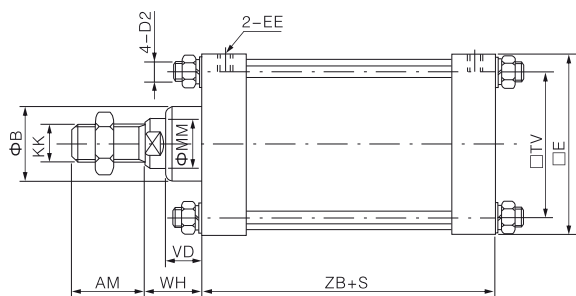
行程  
Stroke

缸径  
Bore

- A:无缓冲机构 A:Without-cushion
- B:有缓冲机构 B:With cushion

气缸  
Air cylinder

普通气缸外形尺寸图 Dimension



## ▲ 举例 Typical Example

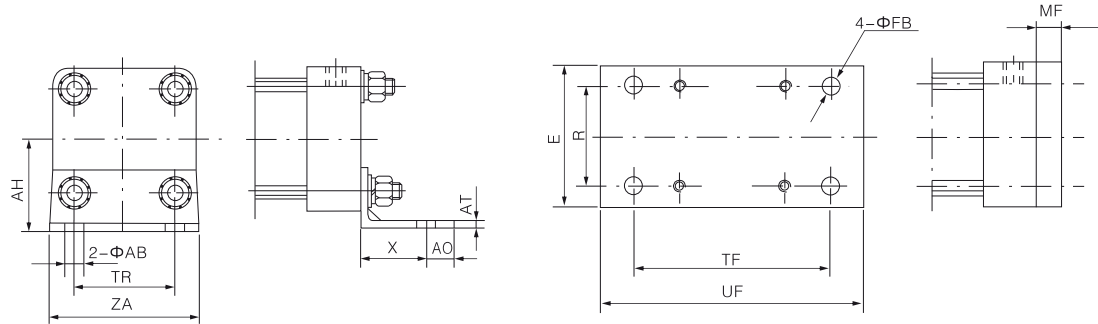
QGB-160×100MF1普通气缸,缸径为160毫米,行程为100毫米,有缓冲机构,安装形式为前端矩形法兰。

QGB-160×100MF1 Standard cylinder, the bore is 160mm, the stroke is 100mm, and with the cushion. The mounting type is rod side flange.

缸径 Bore	B	MM	KK	AM	VD	WH	EE	TV	E	D2	ZB
125	60	35	M30x1.5	50	32	49	PT1/2	110	140	M12	130
140	60	35	M30x1.5	50	32	49	PT1/2	128	160	M14X1.5	130
160	65	40	M36x1.5	56	38	58	PT3/4	140	180	M16X1.5	147
180	72	45	M40x1.5	63	48	68	PT3/4	160	200	M18x1.5	189
200	80	50	M45x1.5	63	48	68	PT3/4	180	220	M20X1.5	189
250	95	63	M56x2	84	68	108	PT1	225	280	M24X2	194
320	110	80	M48x2	96	75	125	PT1	280	350	M30X2	220
400	130	90	M56x4	70	64	104	PT11/4	350	435	M36X3	240

### ▲ MS1端部角架、MF1前端矩形法兰、MF2后端矩形法兰安装外形尺寸图

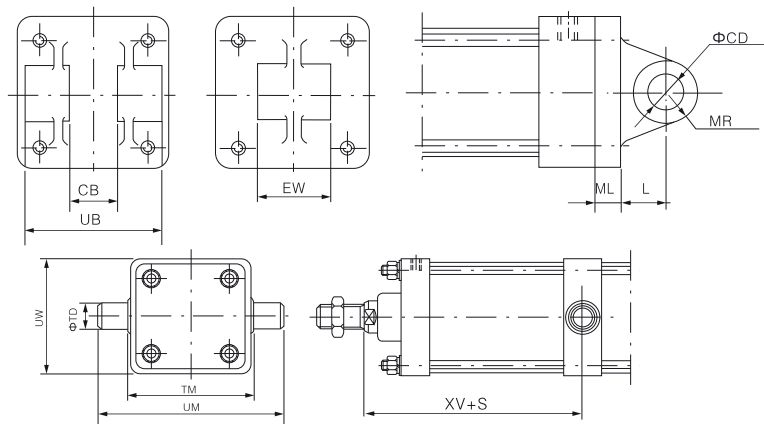
Overall Dimension Figure of MS1 Axial foot、MF1 Rod side flange、MF2 Head side flange



适用缸径 Applicable bores	端部角架Axial foot							矩形法兰Rectangle type flange					
	X	AO	AB	AT	AH	TR	ZA	E	R	FB	TF	UF	MF
125	45	25	16	8	85	90	142	145	90	16	180	212	16
140	45	25	18	10	100	112	164	165	112	18	210	250	18
160	50	25	18	10	115	115	184	185	115	18	230	270	20
180	60	30	22	14	125	130	204	206	125	22	260	310	22
200	60	35	22	14	135	135	224	226	135	22	270	320	25
250	80	40	26	16	165	165	286	286	165	26	330	390	30
320	80	40	33	16	200	200	350	350	200	33	400	470	35
400	90	45	33	20	285	320	435	430	350	33	490	570	40

### ▲ MT4中间轴销、MP2后端双耳环、MP4后端单耳环安装外形图

Overall Dimension Figure of MF4 Center grunion、MP2 Clevis bracket、MP4 Eye bracket



适用缸径 Applicable bores	中间轴销 Center grunion						后端双耳环Clevis bracket 后端单耳环Eye bracket					
	TD	TM	UM	UW	XV	CB	UB	EW	ML	L	CD	MR
125	25	160	210	155	114	70	130	70	18	36	25	25
140	32	185	249	185	114	70	130	70	18	36	25	25
160	32	200	264	195	132	90	170	90	20	36	30	30
180	32	230	294	225	162.5	90	170	90	22	36	30	30
200	32	250	314	246	162.5	90	170	90	25	36	30	30
250	40	320	400	314	185	110	200	110	30	45	40	40
320	50	400	500	380	230	120	220	120	35	50	45	45
400	90	500	640	430	224	120	240	120	40	110	60	60

- B
- HYC
- HYCD
- HYCJ
- HYCT
- HYC
- MBB
- QGA(B)
- CA1
- CS1
- DNC
- SDA
- SDAD
- SDAJ
- SDAT
- SDAW
- SDA
- CQS
- CQ2
- ADVU
- MAL
- MSAL
- MALD
- MALJ
- MAL
- MA MAC
- MSA
- MAD
- MAJ
- MAR
- MA
- CJ2
- CM2
- DSNU
- CU
- TN
- CXS
- CXSW
- MGP
- CJP
- CY1B(S)
- MH
- ZH